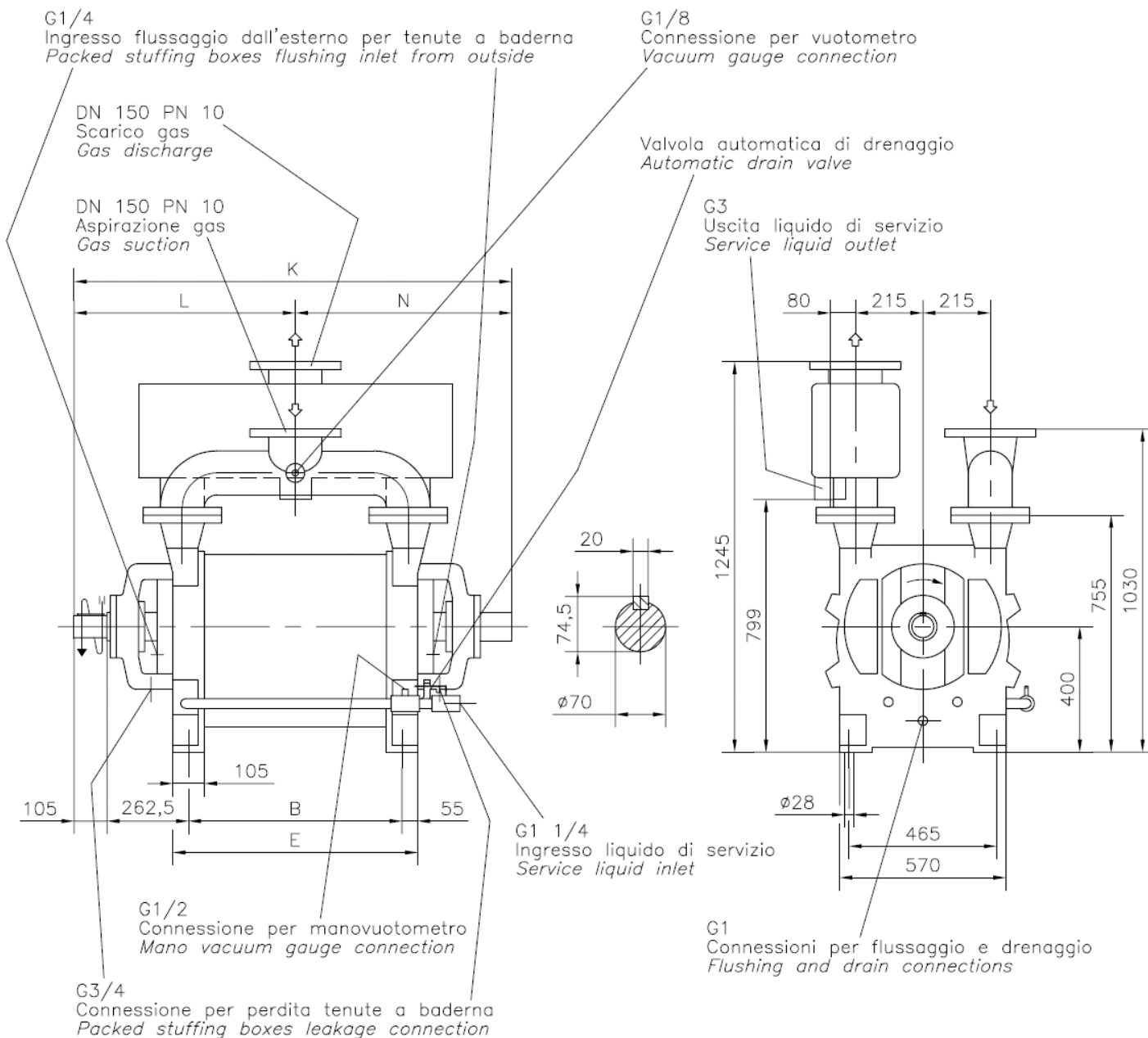


Вакуумный насос TRVK 1502÷1503


POMPA TIPO Pump type	B	E	K	L	N	PESO Weight
TRVK 1502/1-B	525	635	1237	630	607	775
TRVK 1503/1-B	675	785	1395	705	690	890

FLANGE SECONDO UNI 2223-2229-PN 10
 Flanges according to UNI 2223-2229-NP 10

DISEGNO SCHEMATICO - DIMENSIONI IN MM. CON TOLLERANZE SECONDO EN 735-1995 E PESI IN KG. NON IMPEGNATIVI
 Schematic drawing - Dimensions in mm. with tolerances according to EN 735-1995 and weights in kgs. not binding