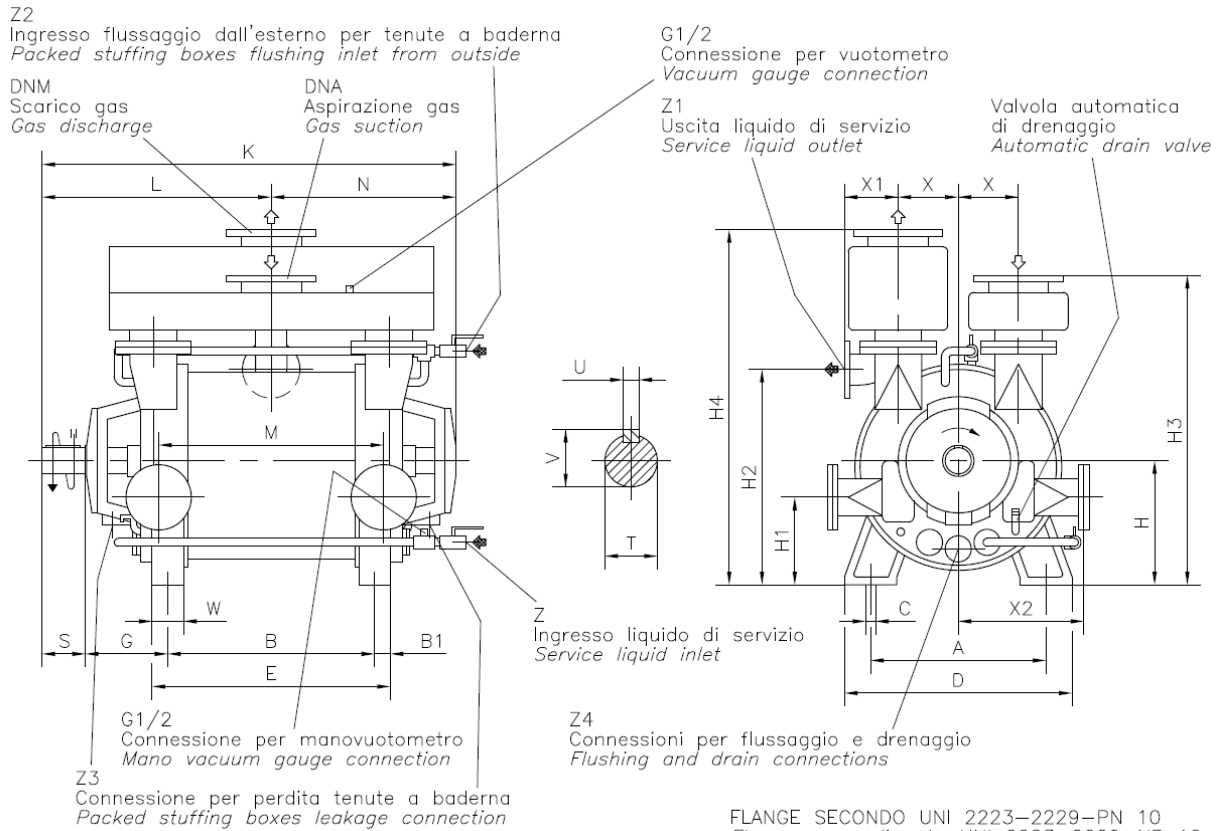


Вакуумный насос TRSK 2002÷5005


POMPA TIPO Pump model	DNA	DNM	A	B	B1	C	D	E	G	H	H1	H2	H3	H4	K	L	M	N
TRSK 2002/1-B				790		35	870	895	315	475	335	825	1185	1360	1580	873	864	707
TRSK 2004/1-B	DN 200	DN 200	670	990	52,5			1095							1780	973	1064	807
TRSK 2005/1-B				900				1005							1695	930	980	765
TRSK 2502/1-B			800	1150	60	35	1000	1270	335	560	395	930	1370	1570	1985	1075	1240	910
TRSK 2505/1-B	DN 250	DN 250		1050				1170							1885	1025	1140	860
TRSK 3000/1-B				1300				72							1110	1444	2135	1150
TRSK 3002/1-B			950	1110	65	42	1200	1240	355	670	475	1120	1625	1865	2170	1188	1210	982
TRSK 3004/1-B	DN 300	DN 300		1480				1610							2540	1373	1580	1167
TRSK 3005/1-B				1260				1390							2170	1185	1360	985
TRSK 3006/1-B				1700				1830							2760	1483	1800	1277
TRSK 3500/1-B			1120	1608	75	42	1370	1738	375	800	560	1335	1875	2160	2518	1359	1708	1159
TRSK 3502/1-B				1450				1600							2435	1340	1590	1095
TRSK 3504/1-B	DN 350	DN 350		1670				1820							2655	1450	1810	1205
TRSK 3505/1-B			1450	1600	2435	1340	1590	1095										
TRSK 4000/1-B			1320	1820	87,5	48	1620	1970	400	950	665	1555	2220	2560	2805	1525	1780	1280
TRSK 4002/1-B				1700				1875							2730	1488	1880	1242
TRSK 4004/1-B	DN 400	DN 400		1950				2125							2980	1613	2130	1367
TRSK 4005/1-B			1700	1875	2730	1488	1880	1242										
TRSK 4504/1-B	DN 450	DN 450		2129				2304				1550	2285	2688	3159	1705	2309	1454
TRSK 5002/1-B			1600	2020	100	48	1900	2220	450	1120	790	1835	2560	2965	3185	1735	2230	1450
TRSK 5004/1-B				2280				2480							3445	1865	2490	1580
TRSK 5005/1-B	DN 500	DN 500		2020				2220							3185	1735	2230	1450
TRSK 5008/1-B			2490	2690	3655	1975	2700	1680										

Продолжение

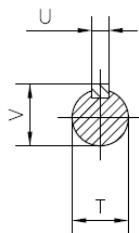
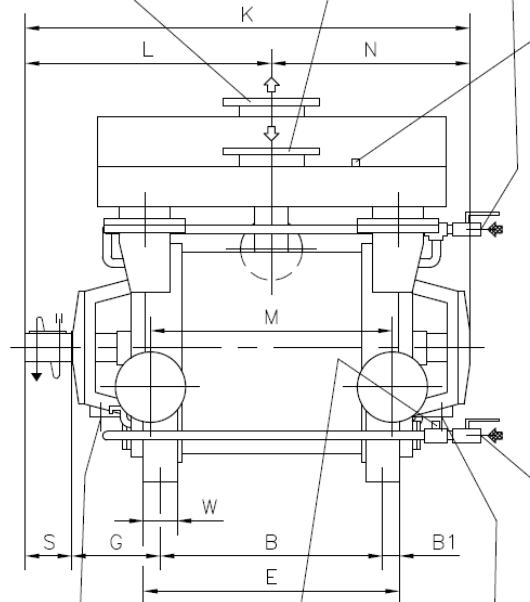
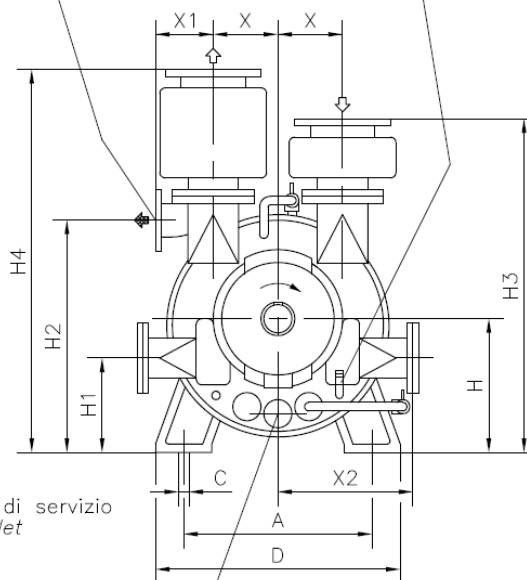
 Z2
 Ingresso flussaggio dall'esterno per tenute a baderna
 Packed stuffing boxes flushing inlet from outside

 DNM
 Scarico gas
 Gas discharge

 DNA
 Aspirazione gas
 Gas suction

 G1/2
 Connessione per vuotometro
 Vacuum gauge connection

 Z1
 Uscita liquido di servizio
 Service liquid outlet

 Valvola automatica
 di drenaggio
 Automatic drain valve

 Z
 Ingresso liquido di servizio
 Service liquid inlet

 Z4
 Connessioni per flussaggio e drenaggio
 Flushing and drain connections

 G1/2
 Connessione per manovuotometro
 Mano vacuum gauge connection

 Z3
 Connessione per perdita tenute a baderna
 Packed stuffing boxes leakage connection

 FLANGE SECONDO UNI 2223-2229-PN 10
 Flanges according to UNI 2223-2229-NP 10


POMPA TIPO Pump model	S	T	U	V	W	X	X1	X2	Z	Z1	Z2	Z3	Z4	PESO Weight
TRSK 2002/1-B	165	100	28	106	105	230	205	480	G 1 1/2	DN 100	G 3/4	G 1/2	DN 32	1500
TRSK 2004/1-B														1600
TRSK 2005/1-B														1500
TRSK 2502/1-B														2400
TRSK 2505/1-B														2200
TRSK 3000/1-B	200	140	36	148	130	335	285	685	G 1 1/2	DN 150	G 1 1/4	DN 40	3050	
TRSK 3002/1-B													3500	
TRSK 3004/1-B													3800	
TRSK 3005/1-B													3400	
TRSK 3006/1-B													4000	
TRSK 3500/1-B	240	160	40	169	150	385	775	655	G 2	DN 150	G 1	DN 40	4350	
TRSK 3502/1-B													5100	
TRSK 3504/1-B													5500	
TRSK 3505/1-B													5100	
TRSK 4000/1-B													6560	
TRSK 4002/1-B	280	200	45	190	175	435	370	875	G 2 1/2	DN 200	G 3/4	DN 50	8000	
TRSK 4004/1-B													8500	
TRSK 4005/1-B													7900	
TRSK 4504/1-B													10200	
TRSK 5002/1-B													11500	
TRSK 5004/1-B	280	200	210	200	490	490	1025	DN 80	DN 200	DN 25	DN 65	12300		
TRSK 5005/1-B												11500		
TRSK 5008/1-B												13950		