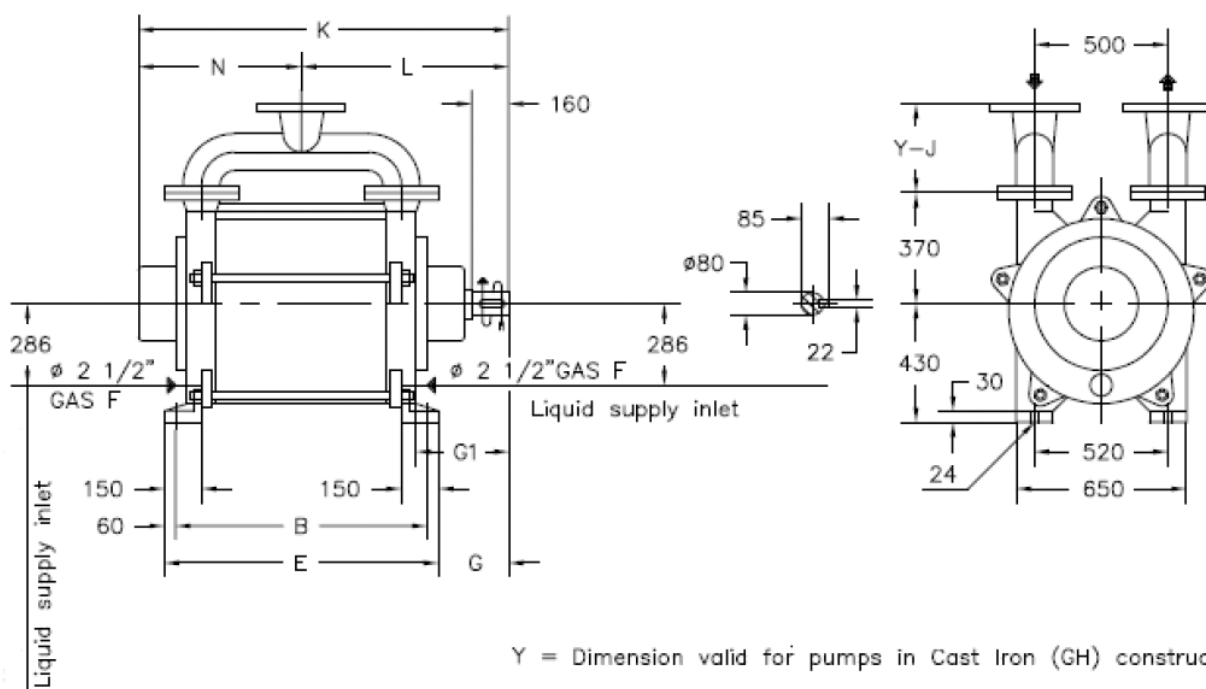
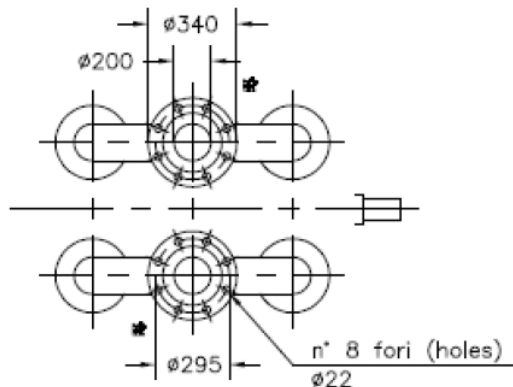


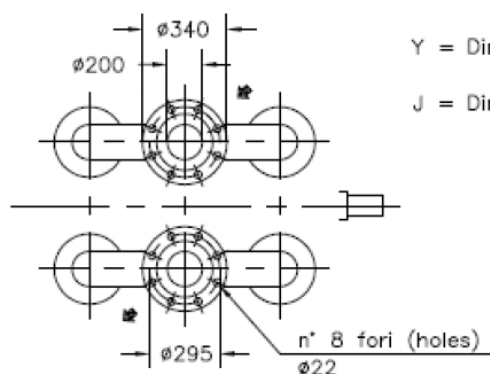
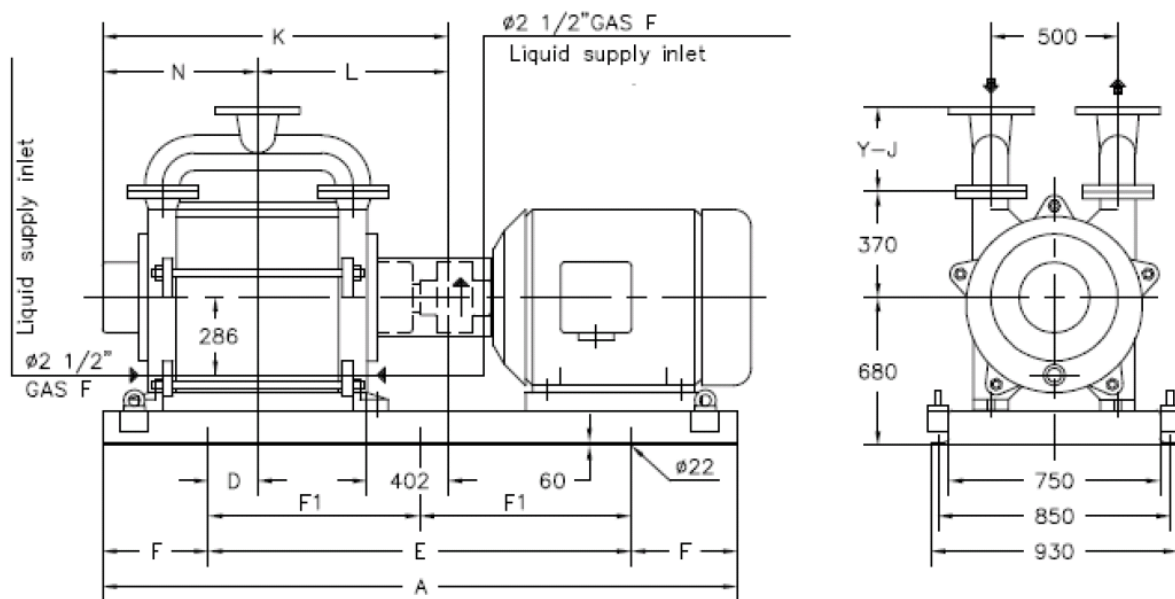
**Вакуумный насос TRSA 200-1950**
**Исполнение без рамы и электродвигателя.**


Y = Dimension valid for pumps in Cast Iron (GH) construction

J = Dimension valid for pumps in S.S. AISI 316 (A3) construction



POMPA TIPO Pump type	B	E	Y	J	Mechanical seal construction					PESO Weight
					G	G1	K	L	N	
TRSA 200-1950	710	830	262	463	372	402	1410	787	623	1125
TRSA 200-2500	810	930		474			1510	837	673	1225
TRSA 200-3100	910	1030		476			1610	887	723	1325

**Исполнение на раме.**


Y = Dimension valid for pumps in Cast Iron (GH) construction

J = Dimension valid for pumps in S.S. AISI 316 (A3) construction

POMPA TIPO Pump type	MOTORE A 8 POLI 8 Poles Motor UNEL-MEC-B3		POMPA Pump									PESO Weight ①																				
	Tipo/Type	KW	A	D	E	F	F1	K	L	N	Y		J																			
TRSA 200-1950/C	315 MA	75	2400	350	1800	300	900	1410	787	623	262	463	1600																			
	315 MB	90																														
TRSA 200-2500/C	315 MB	90		340										190	1900	450	950	1510	837	673	474	1700										
	355 S	110																														
TRSA 200-3100/C	355 S	110		200										200									2800	230	1900	450	950	1610	887	723	476	1800
	355 MB	160																														

Вес указан без электродвигателя.

